

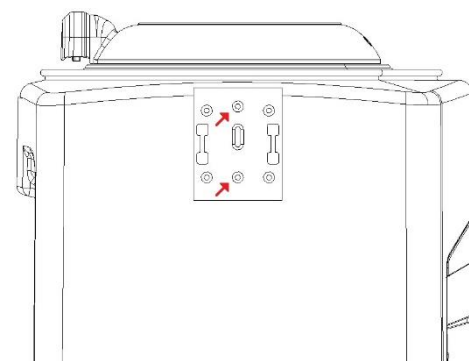
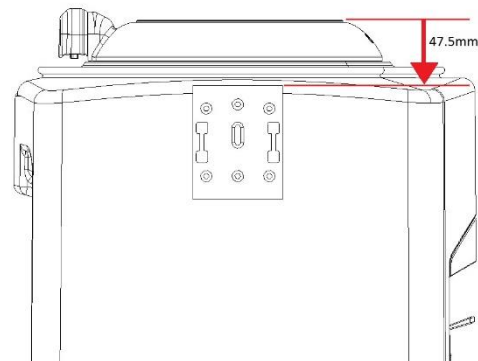


ADAM

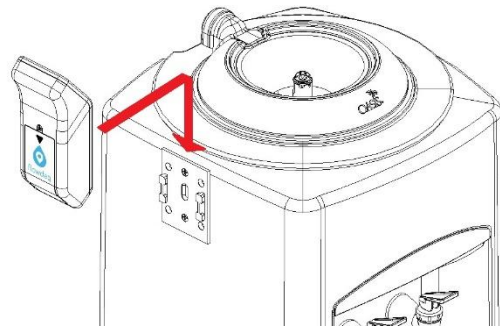
Sigfox Ready Bottle Counter

Installation Instructions

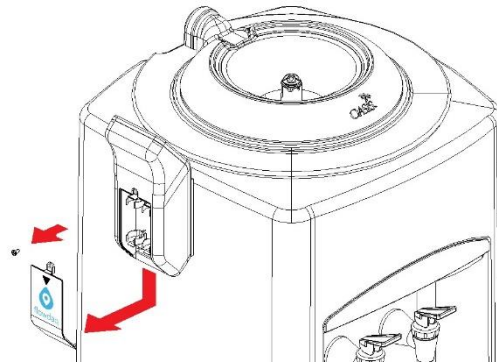
1. There is a video that show the complete installation process. We recommend that you review the video at <https://youtu.be/WHQ9FQyFUuY> before commencing your installation.
2. Select the side you want to install the device, taking care to place it where it is not likely to be bumped by passers-by.
3. Next, mark a point, 47.5 millimetres down from the highest point on the cooler body. This point will be the top of the fitting bracket.
4. The horizontal position of the bracket is not important, but it is recommended to position it so it is out of the way.
5. Next. Drill two holes for the screws that will hold the bracket in place on the side of your water cooler.
6. Screw the bracket on to the side of the cooler.



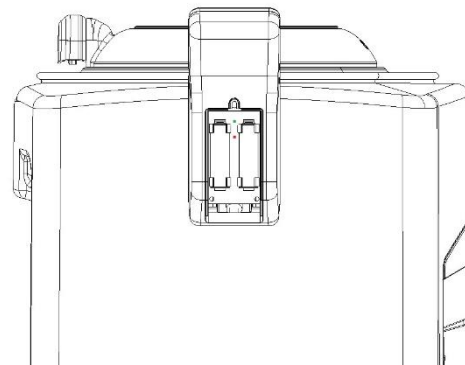
7. Slide the ADAM device onto the bracket. It will snap into position



8. Remove the back from the Adam device, and install 2 x AA batteries



9. A red light will come on, in between the batteries. This will stay on for approximately 5 seconds, at which stage it will start to flash. The flashing will last for approximately 60 seconds. A green light may also flash at this time. After approximately 60 seconds both the red and green light will stay lit for five to ten seconds. This will signify the signal is being sent, AND received by the Flowdaq back end system.



10. When the lights go out, Slide the battery cover back on, and the device is operational.
11. Any subsequent bottle changes should now be identified by the back end system and reported correctly.
12. If you have any further questions please contact, Enquiries@flowdaq.com

Maintenance Instructions

The only maintenance required on the Flowdaq ADAM device is to change the batteries. The procedure is as follows:

1. First, slide off the battery casing
2. Remove the two AA batteries, taking care not to damage the device.
3. Replace the batteries with two new AA batteries
4. Further instructions are in the video: <https://youtu.be/WHQ9FQyFUuY>
5. Replace the battery casing